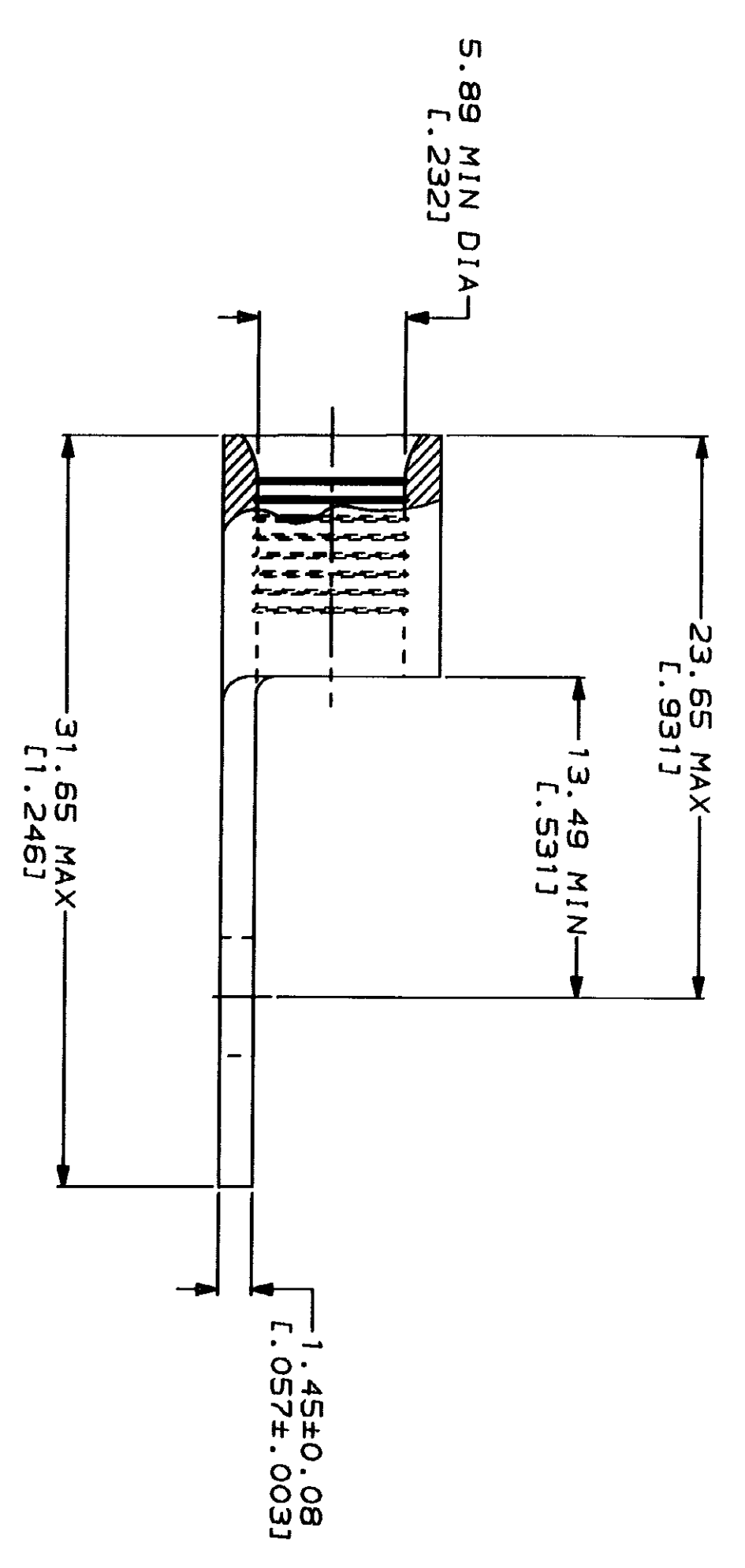
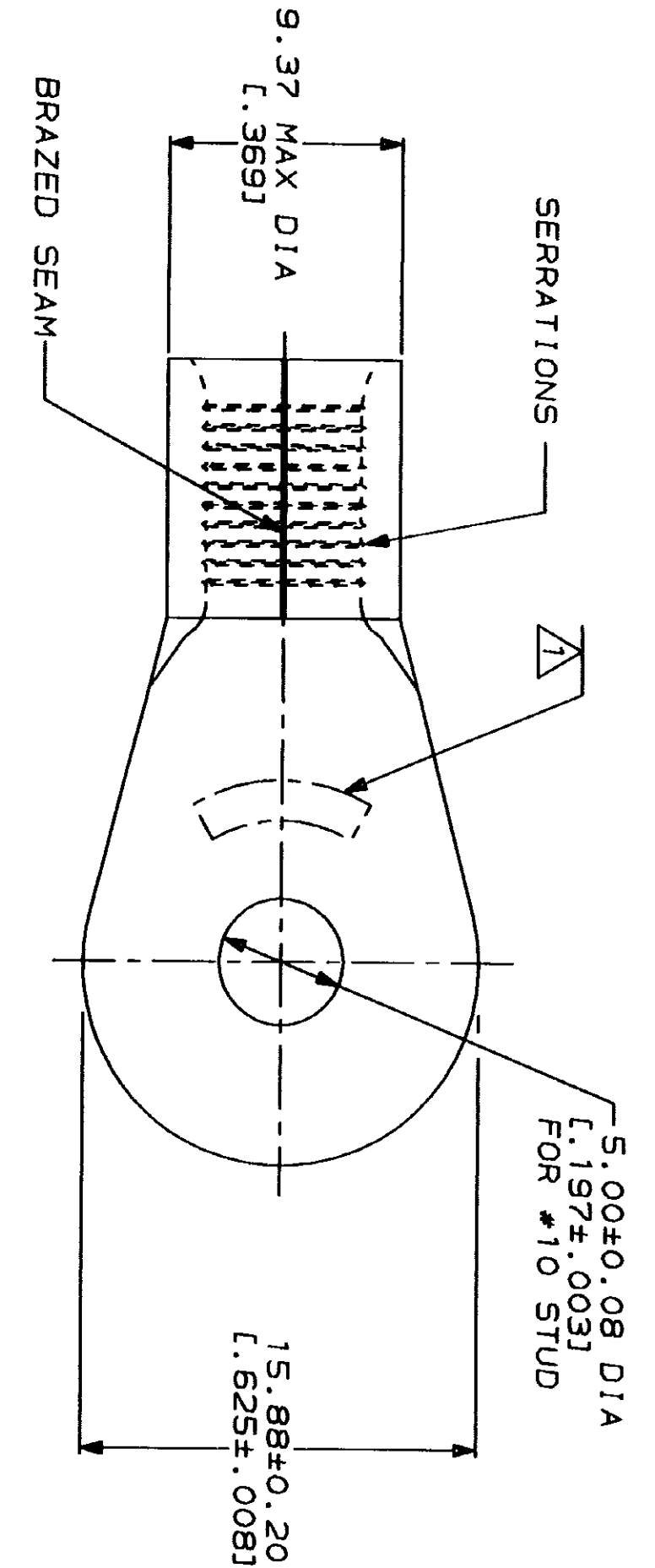
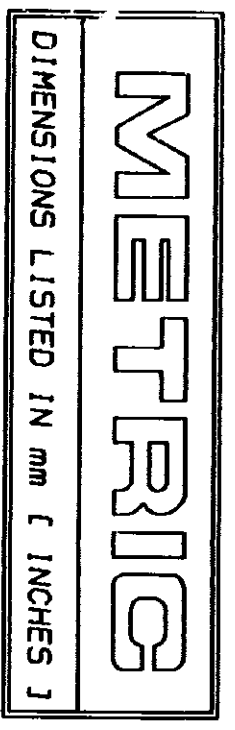


LOC	DIST	REV	DATE	APPD
G	14			
REVISIONS				
			2/10/94	DAF
DESCRIPTION				
REVISED PER 0720-0020-94				



△ STAMP AMP 6* APPROX AS SHOWN

AMP WIRE RANGE	UL E13288 Listed
6 AWG SOLID OR STRANDED	6 AWG STRANDED
6 AWG SOLID OR STRANDED	MILITARY P/N AND CLASS
6 AWG SOLID OR STRANDED	NOT APPLICABLE

AMP INCORPORATED
CUSTOMER SERVICE SYSTEMS

FOR ADDITIONAL PRODUCT INFORMATION OR COPIES OF DRAWINGS AND TECHNICAL DOCUMENTS
1-800-522-6752

FOR APPLICATION TOOLS AND INFORMATION CENTER
1-800-722-1111

FOR ORDER ENTRY
1-800-526-5142

MAX RECOMMENDED OPERATING TEMPERATURE: 170°C MAX

VOLTAGE RATING: NOT APPLICABLE

WIRE CROSS SECTIONAL AREA RANGE, SOLID OR STRANDED
10.5-16.8mm² [20,800-39,100] CIR MILS

DO NOT SCALE PRINT. UNLESS SPECIFIED DIMENSIONS IN MILLIMETERS - TOLERANCES ON 1 2 PLC DEC # - ANGLES 3 PLC DEC # - MATERIAL COPPER PER ASTM B-152 ANNEALED

FINISH TIN PLATE 0.00254 [L.000100] MIN THK PER MIL-T-10727

DR 3-24-93 TA BRINKMAN
CHK 3-24-93 DA PATTERSON
APPD 3-24-93 DE MILLER
APPD 3-24-93 JL NECKLEY

AMP Incorporated
Harrisburg, PA 17105-3608

TERMINAL, RING TONGUE, SOLISTRAND™

SIZE CAGE CODE DRAWING NO
SCALE 4:1 00779 33464

QUANTITY	PACKAGE TYPE	PART NO
50	LOOSE PIECE, BOX	8-33464-2
750	TAPE MOUNTED	2-33464-2
-	LOOSE PIECE	33464